

## P-6110 MkII Indoor Telephone

Art. No. 4000018933



### DESCRIPTION:

The P-6110 MkII is an indoor accommodation telephone, normally used in cabins, offices, etc. This is a digital station with handset, loudspeaker, internal microphone, memory functions, etc. The unit can be desk or bulkhead mounted.

### FEATURES:

- Built-in WP loudspeaker
- Handsfree, duplex communication
- Privacy switch
- Telecom standard alphanumeric keypad
- Manual PTT (Push-To-Talk) key
- ACT key (line active)
- 3 pcs direct access programmable keys (M1-M2-M3)
- 10 pcs accessible programmable keys (0-9)
- Volume control key (VOL) with override
- Program key (P)
- Connection: One Pair – line feed
- Desk or bulkhead mounted

### ELECTRICAL SPECIFICATIONS:

|                       |                        |
|-----------------------|------------------------|
| Power supply          | From central           |
| Power consumption     | 70mA max               |
| Heat dissipation      | N/A                    |
| Termination           | RJ11, two center cores |
| Compass safe distance | >5M                    |

### ENVIRONMENTAL SPECIFICATIONS:

|             |                 |
|-------------|-----------------|
| Temperature | -15°C to +55°C  |
| Humidity    | +93% (at +40°C) |
| Protection  | IP-20           |

# Technical Data Sheet

## P-6110 MkII Indoor Telephone

Art. No. 4000018933

**PHONTECH**  
by ZENITEL GROUP

### MECHANICAL SPECIFICATIONS:

|                   |                                |
|-------------------|--------------------------------|
| Dimension (WxHxD) | 175x217x98.5 mm                |
| Weight            | 0.9 kg                         |
| Material          | Plastic                        |
| Colour            | Black                          |
| Mounting          | Table / Wall with wall contact |
| Fixing            | Bulkhead 2 x pcs M5 bolts      |
| Access            | Front                          |
| Cable entry       | Rear                           |
| Gland type        | N/A                            |
| Manufacturer      | Zenitel                        |

### CERTIFICATES / COMPLIANCES:

Complies to IEC 60945 Marine equipment

### ACCESSORIES:

|            |   |
|------------|---|
| 4000015533 | Wall contact 6P/4C, RJ11 (bulkhead mounted) |
| 4000019049 | Wall contact, RJ11 (flush mounted)          |

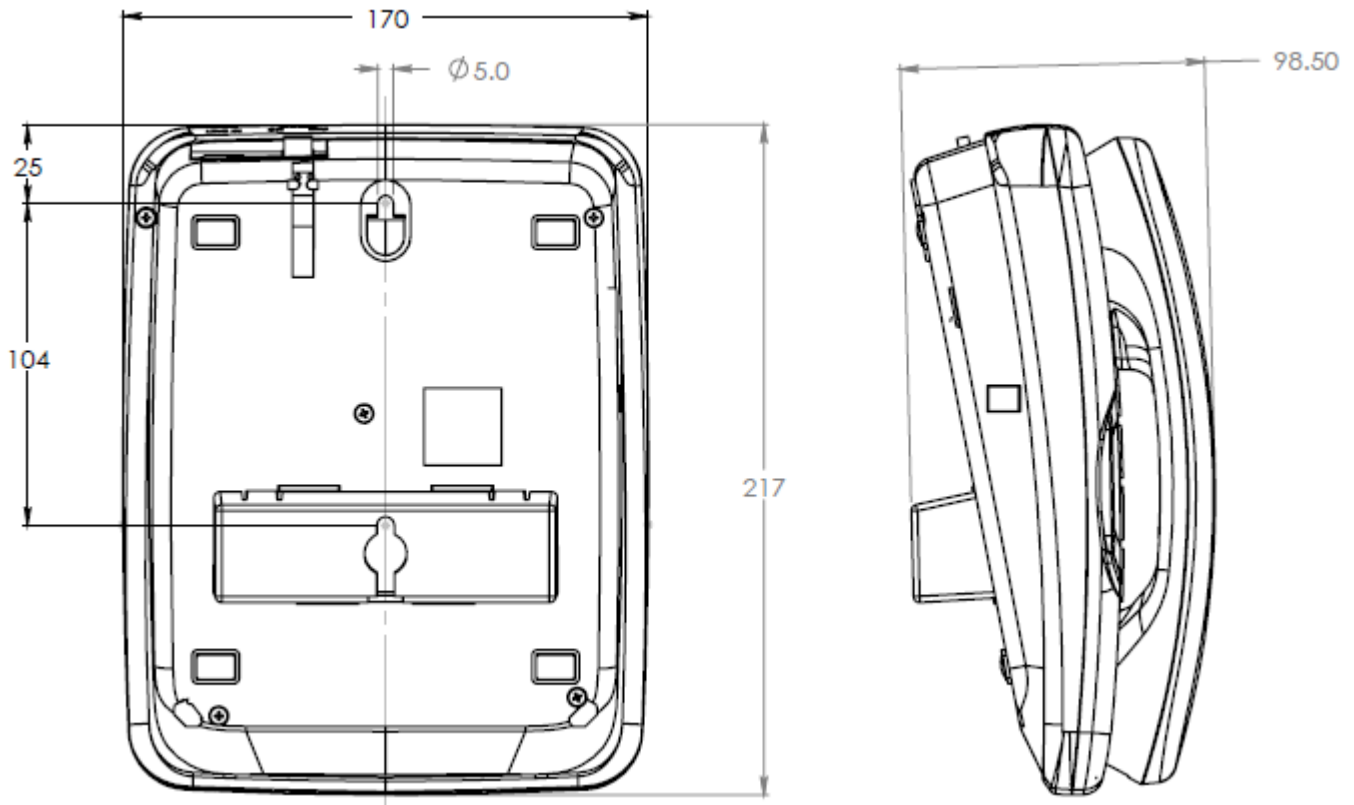
## P-6110 MkII Indoor Telephone

Art. No. 4000018933

# PHONTECH

by ZENITEL GROUP

### DIMENSION / LAYOUT



## P-6110 MkII Indoor Telephone

Art. No. 4000018933

# PHONTECH

by ZENITEL GROUP

