

4000014279

P-9018

Bridge Wing Telephone



DESCRIPTION

- Handset
- Console mounted
- Low voltage directive 2006/95/EC
- CE marking directive 93/68/EEC

The P-9018 is an indoor telephone for Bridge Wing Port/ Starboard connected to the Command Intercom system CIS 3000.

SPECIFICATIONS

MECHANICAL

Dimensions (WxHxD)	96x240x147 mm
Weight	1.5 kg
Color	RAL 9005
Material	Steel
Mounting	Flush mounted
Fixing	4 x M4 bolts
Access	Front
Cable Entry	Rear

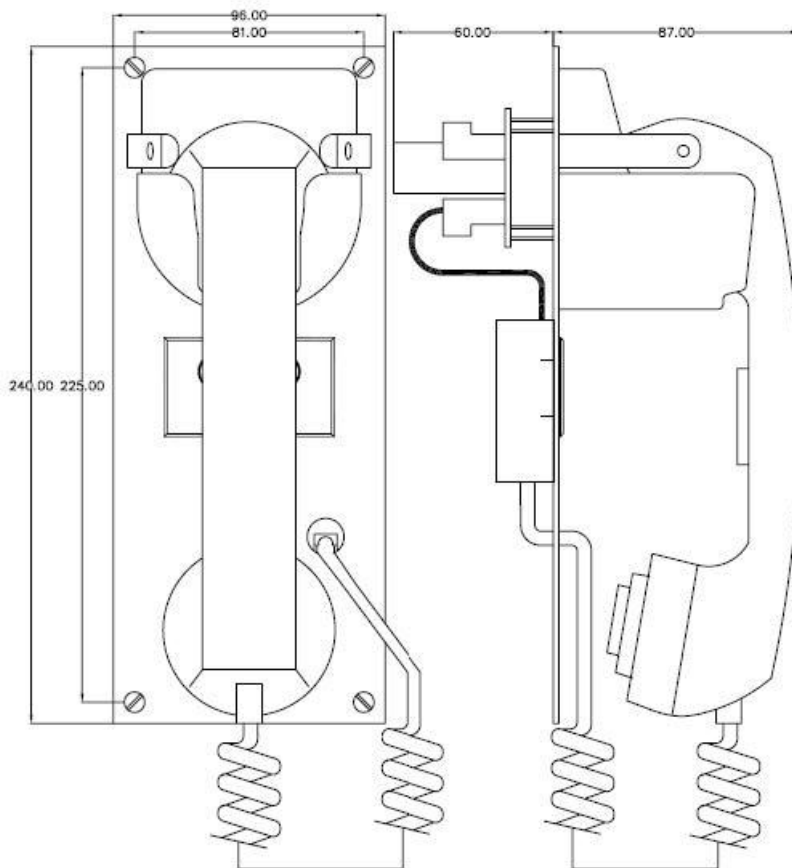
ELECTRICAL

Power Supply	24VDC from Central Unit
Termination	Screw terminals

ENVIRONMENTAL

Temperature	0°C to +45°C
Humidity	20-80 % Non-condensing
Ingress Protection Rating	IP-22

TECHNICAL DIMENSIONS



NOTES:
-REQUIRED OPENING FOR FLUSH-MOUNTING: 66 x 210mm.
-15.00mm IN FROM EACH SIDE.
-COLOUR: FRONT: BLACK, TELEPHONE: BLACK.
-WEIGHT: APP. 1.50kg.
-FIXING DETAILS: 4pcs. M4 SCREW.