

4000014198

P-9117

Handheld Microphone



DESCRIPTION

- PTT
- Curled cable and plug
- Two-way
- 2-way microphone for Bridge Wing
- Splash proof
- Complies with IEC 60945 Marine Equipment

The P-9117 is a handheld two-way microphone. The unit comes with a plug for easy connection and an omnidirectional dynamic microphone.

SPECIFICATIONS

MECHANICAL

Dimensions (WxHxD)	57x114x37 mm
Weight	0.25 kg
Color	Black
Material	Shock-proof plastic housing

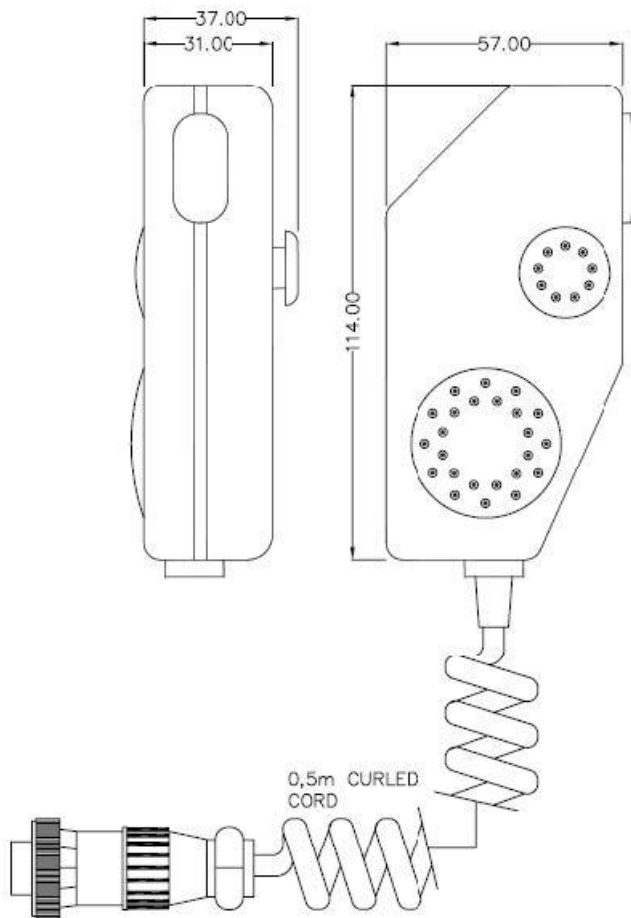
ELECTRICAL

Power Supply	from Central
Termination	Plug, AMP 4-pin
Compass Safe Distance	> 5 m

ENVIRONMENTAL

Temperature	-25°C to +55°C (Storage: -25°C to +70°C)
Humidity	+93% (at +40°C)
Ingress Protection Rating	IP-54

TECHNICAL DIMENSIONS



USED WITH

4000011255

P-0013

Bridge Wing Unit

